

D-Lab Tanzania

By:

Four anonymous students from D-Lab: Development
Three anonymous students from D-Lab: ICT

Arusha: 4-6 days

- Educational activities for afterschool program serving HIV/AIDS affected children
- Community mapping in the slums



Monduli: 4 days

Educational Improvements and Analysis

- Purpose:
 - To improve the current quality of education through applicable hands-on activities and curriculum improvements
 - To gather information about the infrastructural and community differences regarding education in various communities
- To do:
 - Appropriate curriculum changes and supplemental activities
 - Current success and problems in schools in different sectors



Moshi: 5 days

Electrical Generation

- Purpose:
 - People need to commute hours to recharge their cellphones.



- To do:
 - Make a circuit such as charge-pump/buck-boost converters
 - Should be low-cost and portable
 - Should be as generic as possible

Moshi: 5 days

FM radio

- Purpose:
 - FM radio station to raise awareness about disability issues
- To do:
 - Research equipment availability, prices, and function
 - Acquire and set up equipment including a transmitter and an antenna

Leboni: 7 days

Rain water harvesting

- Purpose: More water would allow them to have 2 meals a day.
- To do: Find the right materials and tools

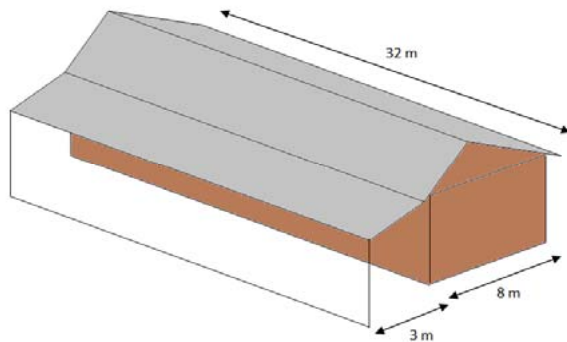


Fig. 1: Original school

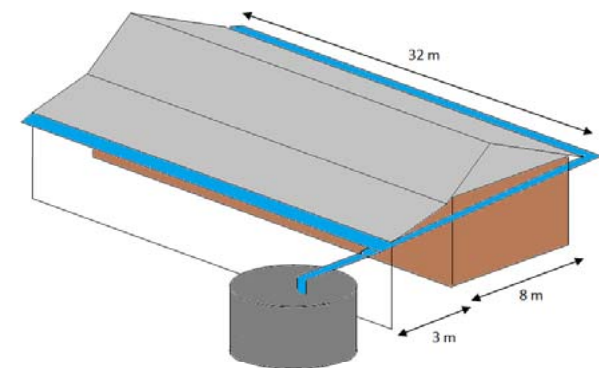


Fig. 2: School with water Harvesting System

Leboni: 7 days

- **Maasai medicine**
- Purpose:
 - Catalogue Maasai traditional medicines
 - Better understand Maasai health and beliefs of health
- To do:
 - Collect samples of traditional medicines
 - Analyze in lab
 - Create catalogue



Leboni: 7 days

Milk preservation

- Purpose:
 - To preserve excess milk and/or create additional income generation
- To do:
 - Research preservation and processing strategies
 - Test several options



Karatu: 5 days

- Mwema
 - School for street children
 - Family integration workshops
- Computer lab



MIT OpenCourseWare
<http://ocw.mit.edu>

EC.701J / 11.025J / 11.472J D-Lab I: Development
Fall 2009

For information about citing these materials or our Terms of Use, visit: <http://ocw.mit.edu/terms>.